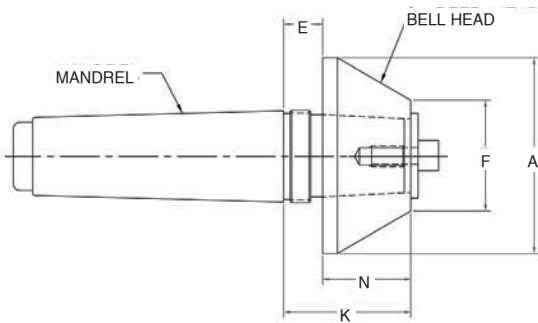


## Replaceable Bell Head Live and Dead Centers

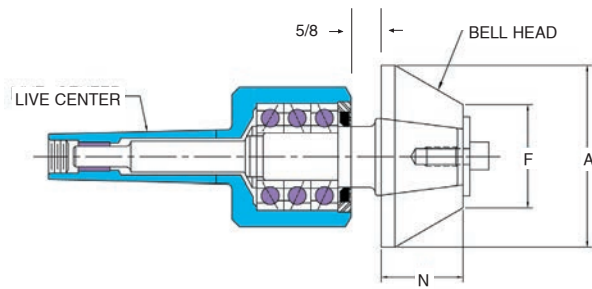
### Dead Center Mandrels

- Heat treated for additional strength
- Series 1 mandrels fit Series 1 bell heads
- Series 2 mandrels fit Series 2 bell heads
- Accuracy guaranteed to  $\pm .0001$  assembled



### Live Centers

- Body and spindle heat treated for additional strength
- Full length spindle for extra rigidity
- Accuracy guaranteed to  $\pm .0001$  assembled
- Riten full service and repair



| DEAD CENTER MANDRELS - MORSE TAPER |    |           |      |      |           |
|------------------------------------|----|-----------|------|------|-----------|
| Model                              | MT | Threads   | E    | K    | Bell Head |
| 01104                              | 4  | —         | 0.50 | 2.19 | Series 1  |
| 01114                              | 4  | M35 x 1.5 | 0.75 | 2.44 | Series 1  |
| 01124*                             | 4  | M35 x 1.5 | 1.25 | 2.94 | Series 1  |
| 01105                              | 5  | —         | 0.50 | 2.19 | Series 1  |
| 01115                              | 5  | M45 x 1.5 | 0.75 | 2.44 | Series 1  |
| 01125*                             | 5  | M45 x 1.5 | 1.25 | 2.94 | Series 1  |
| 01195                              | 5  | —         | 0.75 | 2.71 | Series 2  |
| 01106                              | 6  | —         | 0.50 | 2.63 | Series 2  |
| 01116                              | 6  | M55 x 2.0 | 0.75 | 2.88 | Series 2  |
| 01126*                             | 6  | 3.00-12   | 2.35 | 4.48 | Series 2  |

| LIVE CENTERS - MORSE TAPER |    |                   |           |
|----------------------------|----|-------------------|-----------|
| Model                      | MT | Max. W. P. Weight | Bell Head |
| 51403                      | 3  | 730               | Series 1  |
| 51404                      | 4  | 1760              | Series 1  |
| 51405                      | 5  | 3520              | Series 1  |
| 34405                      | 5  | 6400              | Series 2  |
| 34406                      | 6  | 11,200            | Series 2  |
| 34417                      | 7  | 11,200            | Series 2  |

Threaded mandrels include the extraction nut.  
\* Special taper for Mazak machines

| BELL HEADS (Fit both live centers and mandrels) |      |      |      |           |
|---|------|------|------|-----------|
| Model   | A    | F    | N    | Bell Head |
| 01375   | 3.75 | 2.12 | 1.69 | Series 1  |
| 01525   | 5.25 | 3.62 | 1.69 | Series 1  |
| 01675   | 6.75 | 5.12 | 1.69 | Series 1  |
| 01825   | 8.25 | 6.62 | 1.69 | Series 1  |
| 01975   | 9.75 | 8.12 | 1.69 | Series 1  |

| BELL HEADS (Fit both live centers and mandrels) |       |       |      |           |
|---|-------|-------|------|-----------|
| Model   | A     | F     | N    | Bell Head |
| 02045   | 4.50  | 2.50  | 2.13 | Series 2  |
| 02055   | 5.50  | 3.33  | 2.13 | Series 2  |
| 02075   | 7.50  | 5.33  | 2.13 | Series 2  |
| 02095   | 9.50  | 7.33  | 2.13 | Series 2  |
| 02115   | 11.50 | 9.33  | 2.13 | Series 2  |
| 02135   | 13.50 | 11.33 | 2.13 | Series 2  |